



Big reach, big performance. The Astra 3 Double Arm was designed to provide outstanding reach in a small footprint. With nearly 3 feet of extension from the base and a 270° rotating head, the Astra 3 Double Arm puts illumination exactly where it is needed. Clustered, high-output, high CRI LEDs provide a crisp white light with no shadowing effect in a smaller footprint. The Astra 3 features programmable touch button controls, allowing the user to return to the same dimming level as last used, double touch to maximum brightness and programming for auto shut-off after 5 or 10 hours of use. Astra 3 also includes an energy saving Occupancy Sensor that turns on the Astra 3 with movement and turns off after 15 minutes of inactivity.



Touch button design with auto shut-off programming and brightness memory.



Energy saving Occupancy Sensor turns on with movement and off after 15 minutes of inactivity.



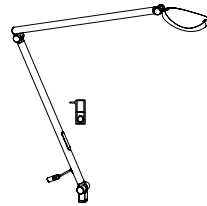
## FEATURES

- 34.9" Reach from base/mount
- Multiple base options
- Bright white light output: 3100 K, 93 CRI
- Included occupancy sensor
- Continuous dimming from 100%–5%
- Touch button on/off & dimming controls
- UL Certified, Energy Star Compliant Luminaires V1.2
- 50,000+ hour life LED's (L70 rating)
- 5 year fixture warranty
- Available in silver
- 12 W transformer included:
- 24 V, 0.5 A, Class 2 transformer: 3" × 1.125" × 1.75"
- Two prong plug on 6' cord, connects to 3' cord attached to fixture

## SPECIFICATIONS

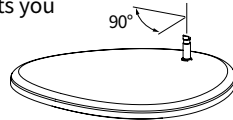
### Double Arm Luminaire

- Foot candle power (@ 15"): **157 fc**
- Light output (lumens): **384 lm**
- Power consumption (wattage): **5.7 W**
- Lumens per watt: **67 lm/W**
- Light color temperature (CCT): **3100 K**
- Color Rendering Index (CRI): **93 CRI**
- Includes energy saving Occupancy Sensor



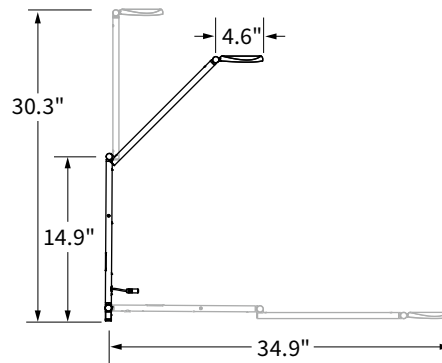
### Table Base

- Sturdy yet movable, this 4 lb table base lets you put your light exactly where you want it
- Provides 90° of rotation at the base
- Dimensions: 7"w × 7.5"d × .3"h



## DIMENSIONS

### Horizontal and vertical reach

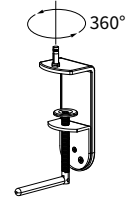


### Fixture pivot & rotation



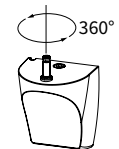
### Two Piece C-Clamp Mount

- Detachable two piece C-clamp design for panel mounted desks
- Includes both C-clamp & grommet mounting options
- 180° pivot limiter on lower arm for space constrained environments
- Supports up to 48 lb



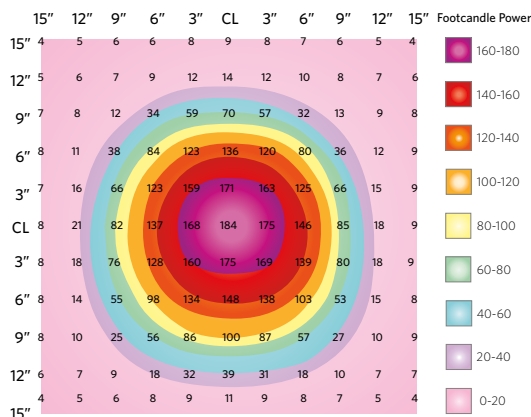
### Tool Bar & Slatwall Mount

- Add some height to your light and conserve desk space by mounting to a Workrite Tool Bar
- Adjustable clamp design is also compatible with any 90° edge .5"-1.75" Slatwall system.
- Provides 360° of rotation at the base
- Dimensions: 2.5"w × 2"d × 2.8"h



## PHOTOMETRICS

Source at 15"



DESCRIPTION	MODEL #	WEIGHT
Double Arm Luminaire	AST3-DA-WOB-S	2
Table Base	LTG-TB-TD-S	3
Two Piece C-Clamp Mount	LTG-CCB-TP-S	1
Tool Bar & Slatwall Mount	LTG-TSB-ADJ-S	1

